

MODEL	R SELECT	LAST REF	DES	NOTES:
4000		USED		
5000	2K, 10%		NOT USED	

USED	NOT USED
R26	
C5	
CR6	
LED6	
OA5	
T8A	

REV	ECO	DESCRIPTION	DATE

DATE

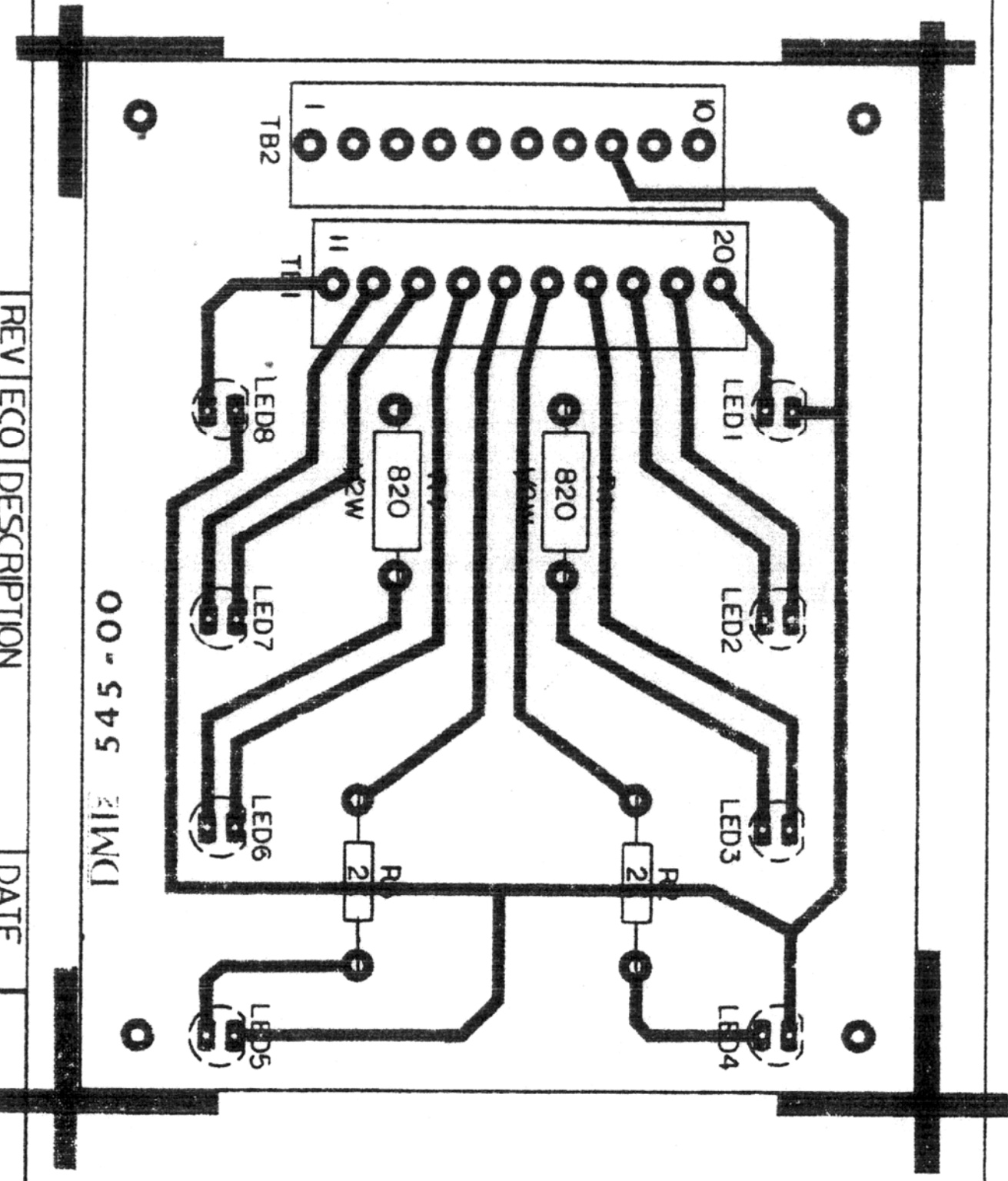
DALLAS MUSIC INDUSTRIES
 HAWTHORNE, N.J. 07035

DATE: 04/26/82

CHEST: HORNDA 4000 & 5000 SERIES
 POWER AMPLIFIERS
 MAIN WIRING E.C.L.B.

SCALE: -- DO NOT SCALE DRAWING

21039A1



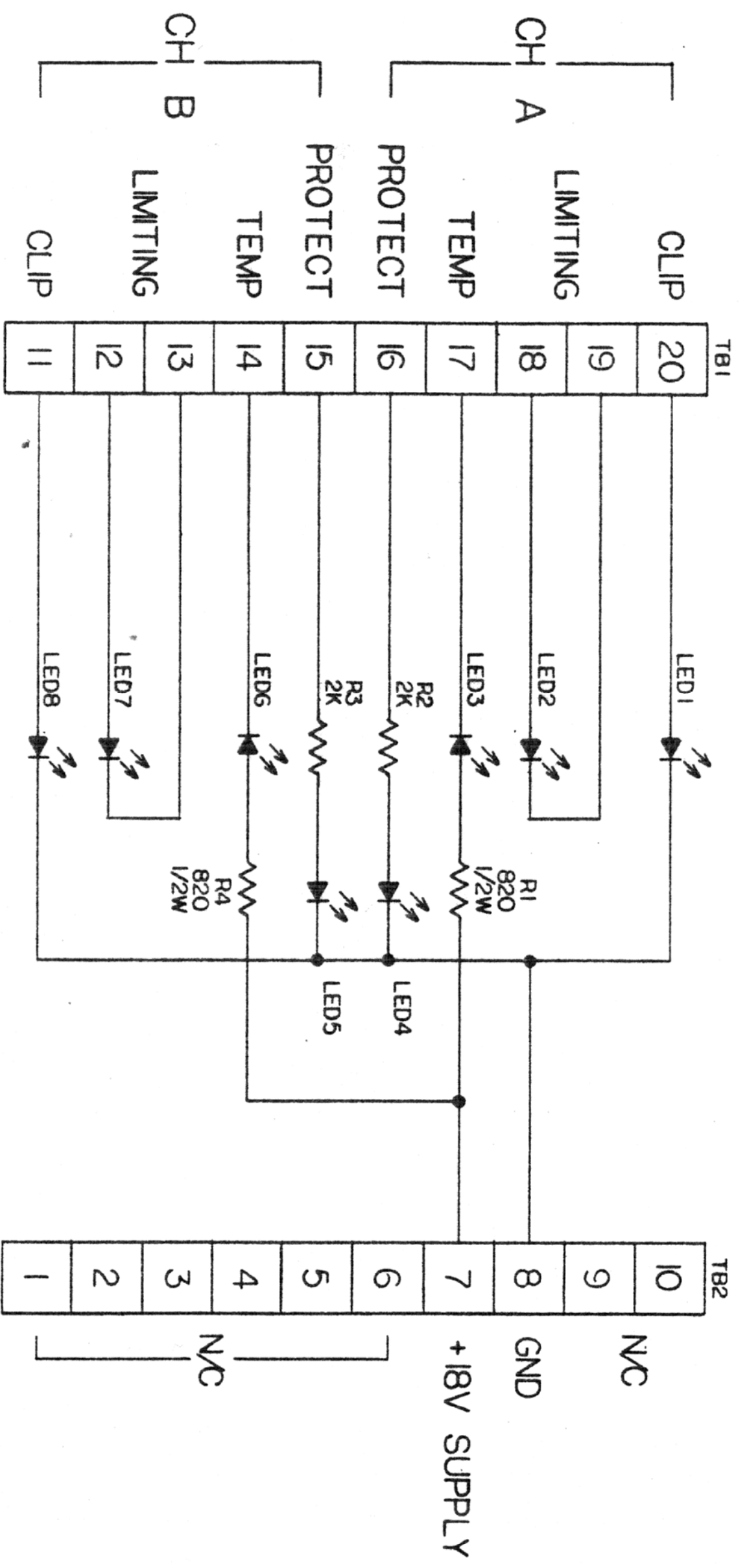
NOTES:
 1) LEDS MOUNT ON SOLDER SIDE
 2) LEDS ARE RED

REV	ECO	DESCRIPTION	DATE

DALLAS MUSIC INDUSTRIES
 HAWTHORNE, N.J. 07506

DWR: JJD	DATE: 04/28/82	CREST:
APP: <i>[Signature]</i>	DATE: <i>[Signature]</i>	MODEL 5001 SERIES POWER AMPLIFIER
TOL: ±.02	Z: ±10	LED PROTECT P.C.B.
FR: ±.01	FRACT: ±1/64	ASSEMBLY DWG.
MATL:		
FINISH:		

DWG. NO.:	2202545	REV:	00
SCALE:	2:1	DO NOT SCALE DRAWING	



LAST REF	DES	NOTES:
USED	NOT USED	1) LEDs ARE RED
R4		2) N/C- NO CONNECTION
LED8		3) R2 & 3 ARE 1/4W
TB2		

REV	ECO	DESCRIPTION	DATE

DALLAS MUSIC INDUSTRIES
 HAWTHORNE, N.J. 07506

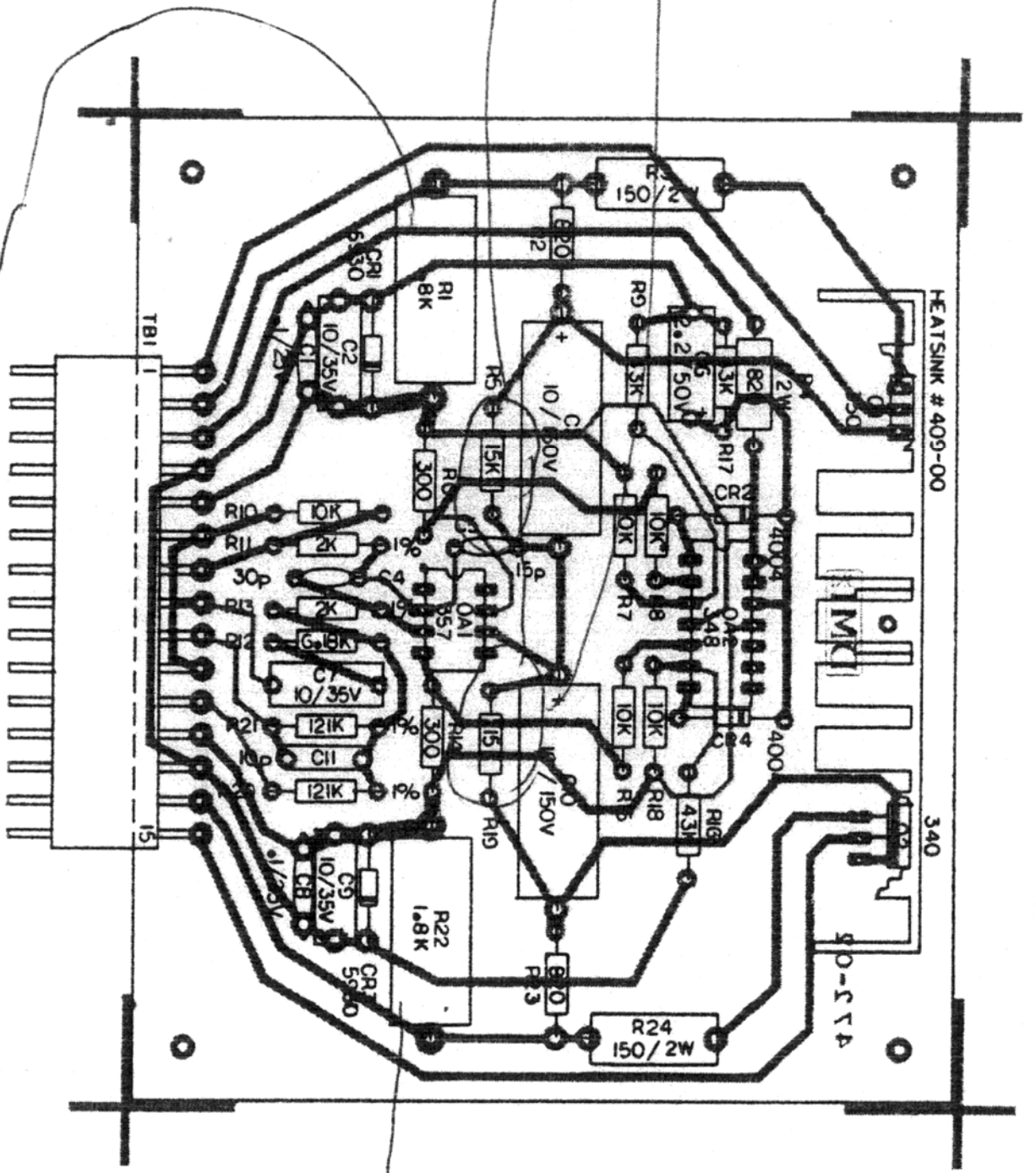
DWN: JJD DATE: 7/28/82
 APP: [Signature] DATE: [Signature]
 TOL: ±.02 ±1°
 FRACT: 1/64

CREST: MODEL 5901 SERIES
 POWER AMPLIFIER
 LED PROTECT P.C.B.

MATL: _____
 FINISH: _____
 DWG. N.: 2102545
 SCALE: -- DO NOT SCALE DRAWING

REV: 00

R5 + R19
15K 1w
Metal oxide



R1 + R22
2K 8w

LAST REF DES NOTES:

USED	NOT USED
R24	
C11	
CR4	
OA2	
O2	

REV ECO DESCRIPTION

DATE

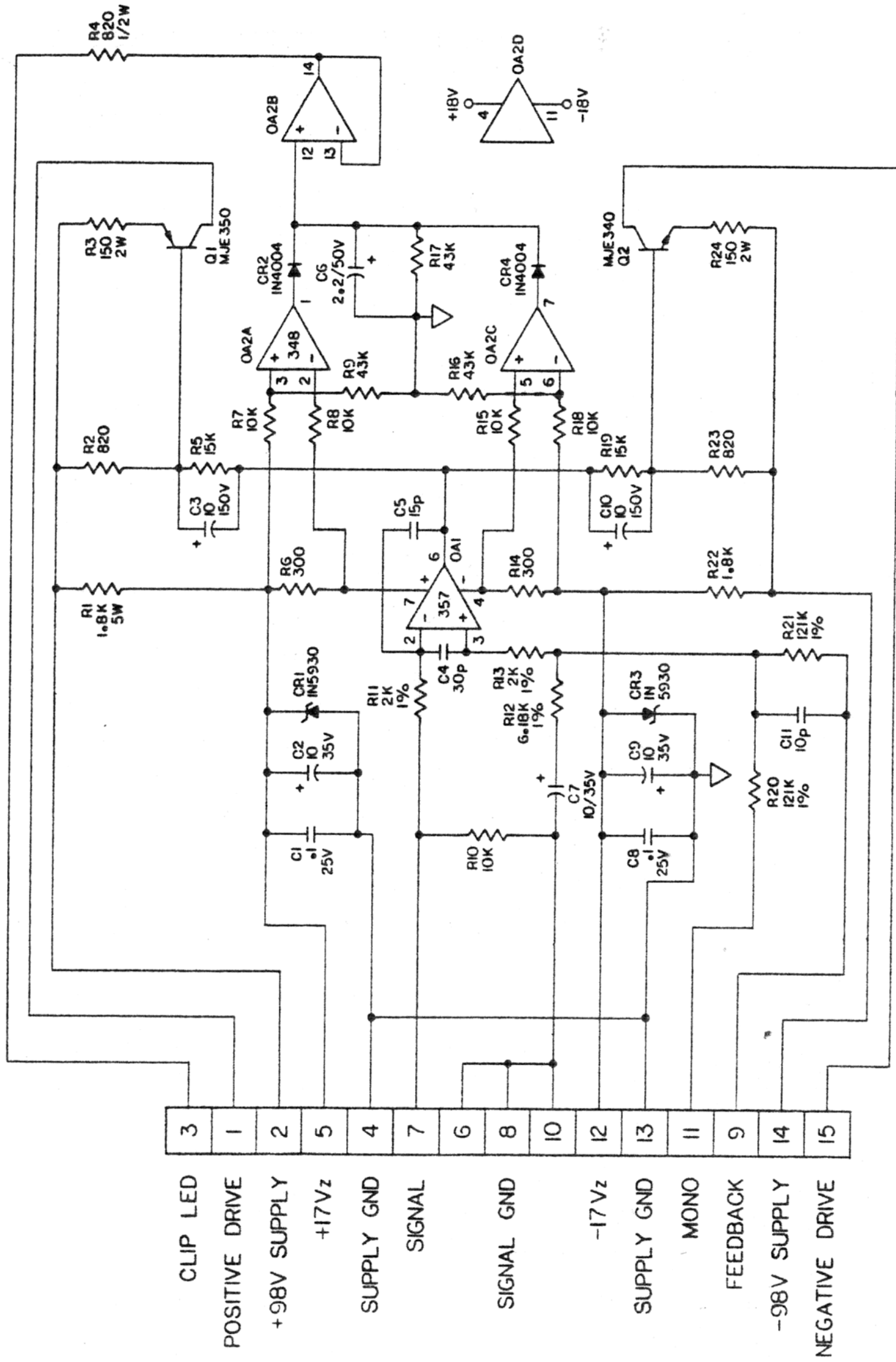
DALLAS MUSIC INDUSTRIES
HARTSHORNE, N.J. 07128

OWN.	DATE
APP. <i>JPD</i>	DATE <i>7/6/82</i>
TOL. <i>8</i>	DATE <i>7/6/82</i>
REV. <i>1</i>	DATE <i>7/6/82</i>
FRAC. <i>1/16</i>	DATE <i>7/6/82</i>

CREST:
MODELS 5000 & 5001 SERIES
POWER AMPLIFIERS
FRONT END P.C.B.

ASSEMBLY DWG.

DWG NO. 2203472
SCALE 2:1 (DO NOT SCALE DRAWING)



- 3 CLIP LED
- 1 POSITIVE DRIVE
- 2 +98V SUPPLY
- 5 +17Vz
- 4 SUPPLY GND
- 7 SIGNAL
- 6 SIGNAL GND
- 8 SIGNAL GND
- 10 -17Vz
- 12 SUPPLY GND
- 13 MONO
- 11 FEEDBACK
- 9 -98V SUPPLY
- 14 NEGATIVE DRIVE
- 15

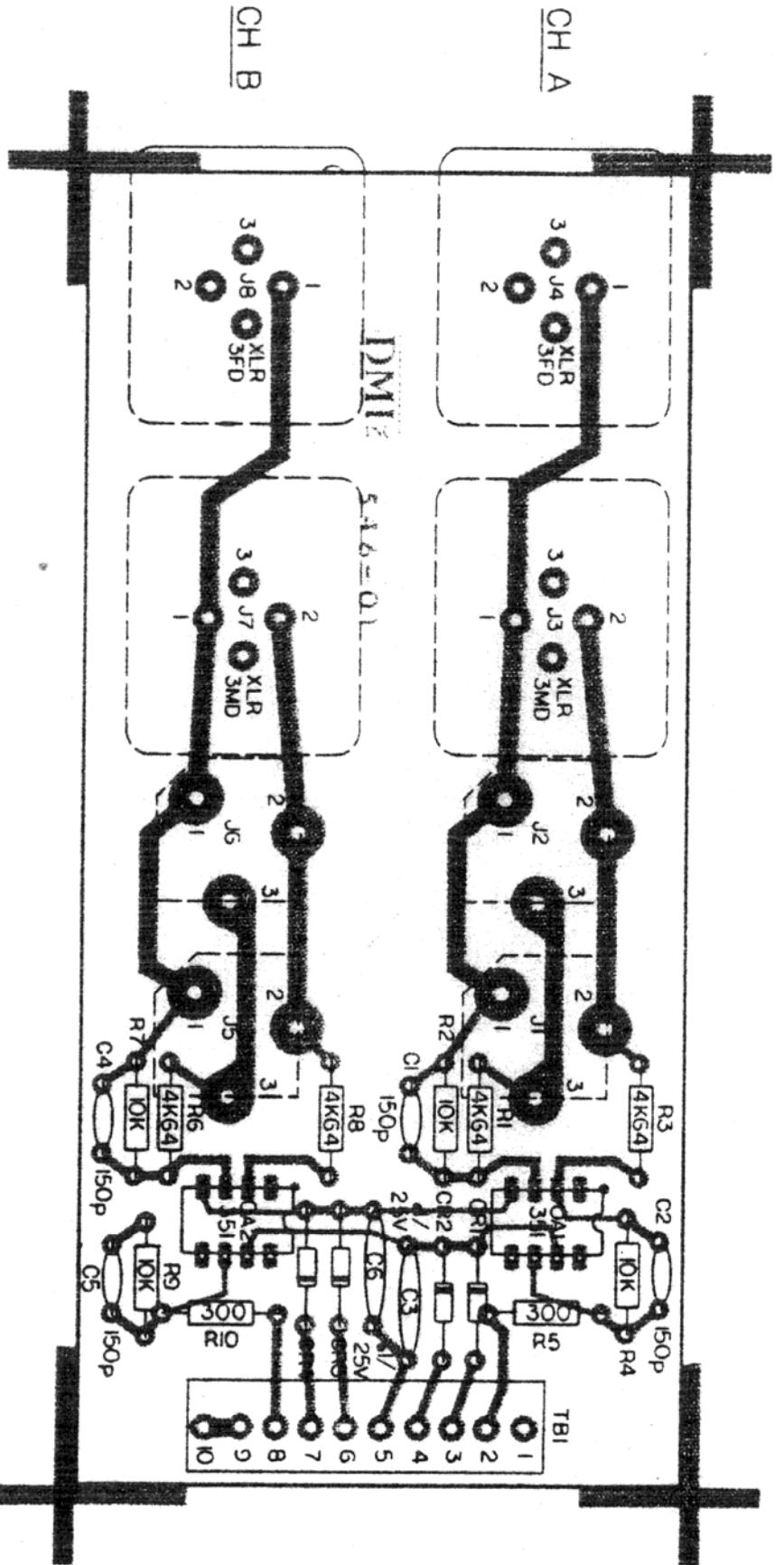
LAST REF DES NOTES:

USED	NOT USED
R24	
C11	
CR4	
OA2	

REV ECO DESCRIPTION

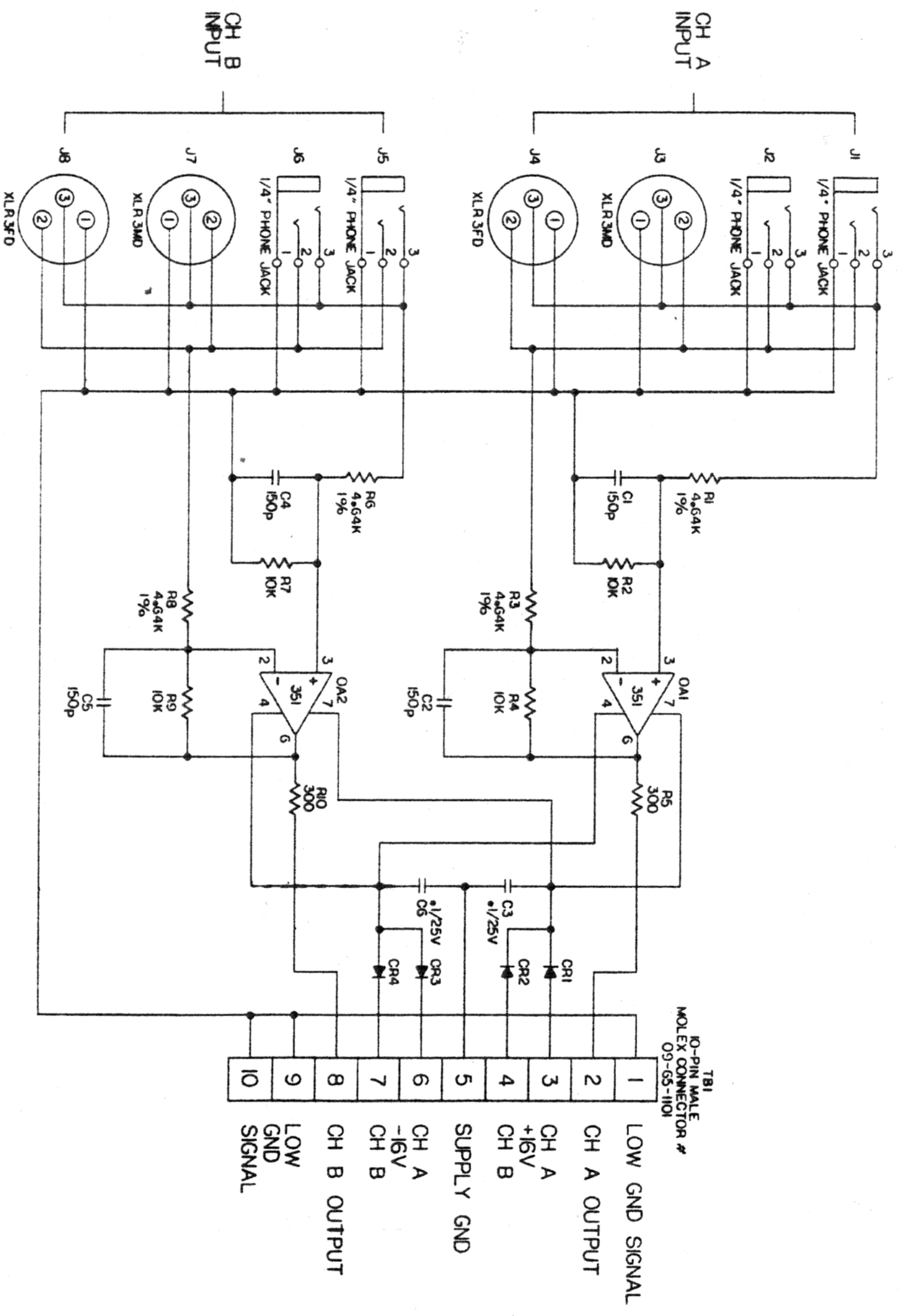
DATE

DALLAS MUSIC INDUSTRIES
 HAWTHORNE, N.J. 07606
 OWN: JJD
 DATE: 9/25/82
 APP: [Signature]
 TOL: 2 OR 4 2"
 *** 2.01 PRAC 2/64
 FROM: END P.C.B.
 CREST: MODELS 5000 & 5001 SERIES POWER AMPLIFIERS



LAST REF DES	NOT USED	NOT USED	NOTES:	REV	ECO	DATE
USED			1) ALL DIODES, CRI-48 IN4004			
R10			2) J1,2,5,6 ARE 1/4" PHONE JACKS, PART NO N112BPC			
U6						
CR4						
J8						
OA2						
TBI						

DALLAS MUSIC INDUSTRIES HAWTHORNE, N.J. 07106	
DATE	7/7/82
APP	JJD
DATE	7/2/82
TOL	2 02
FRAC	1/16
FRAC	2/164
CREST:	
MODELS 5000 & 5001 SERIES	
POWER AMPLIFIERS	
INPUT P.C.B.	
ASSEMBLY DMC.	
DWG NO.	2203546
SCALE	2:1
REV	00
DO NOT SCALE DRAWING	



LAST REF DES NOT USED

USED	NOT USED
R10	
CG	
CR4	
J8	
OAZ	
TBI	

NOTES:

- 1) 1/4" PHONE JACKS, J1,2,5,6 & NI12BPC
- 2) RESISTORS & 1/4W
- 3) DIODES IN4004

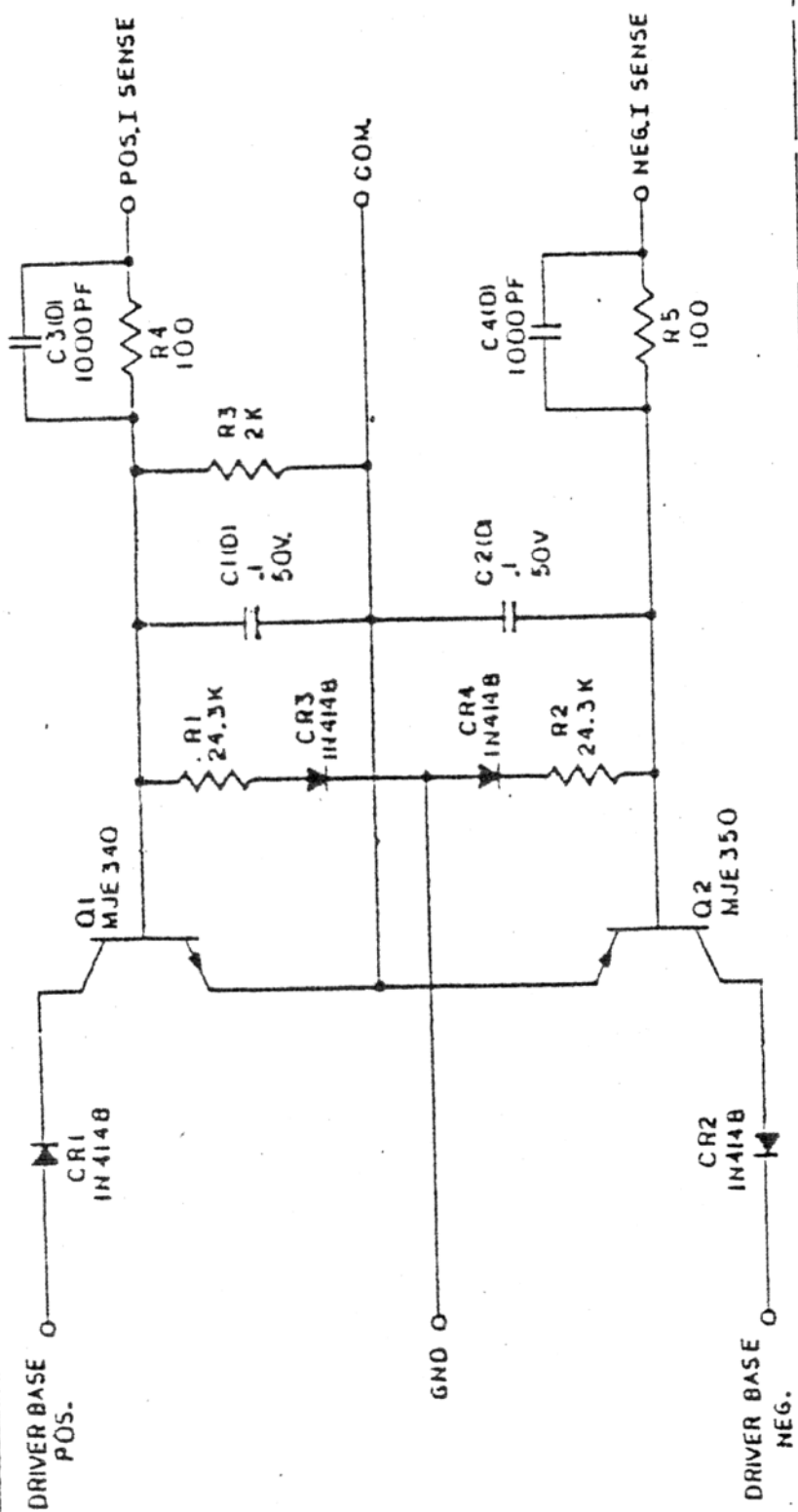
REV	ECO	DESCRIPTION	DATE

DALLAS MUSIC INDUSTRIES
 NAVYTHORNE R.J. 8788

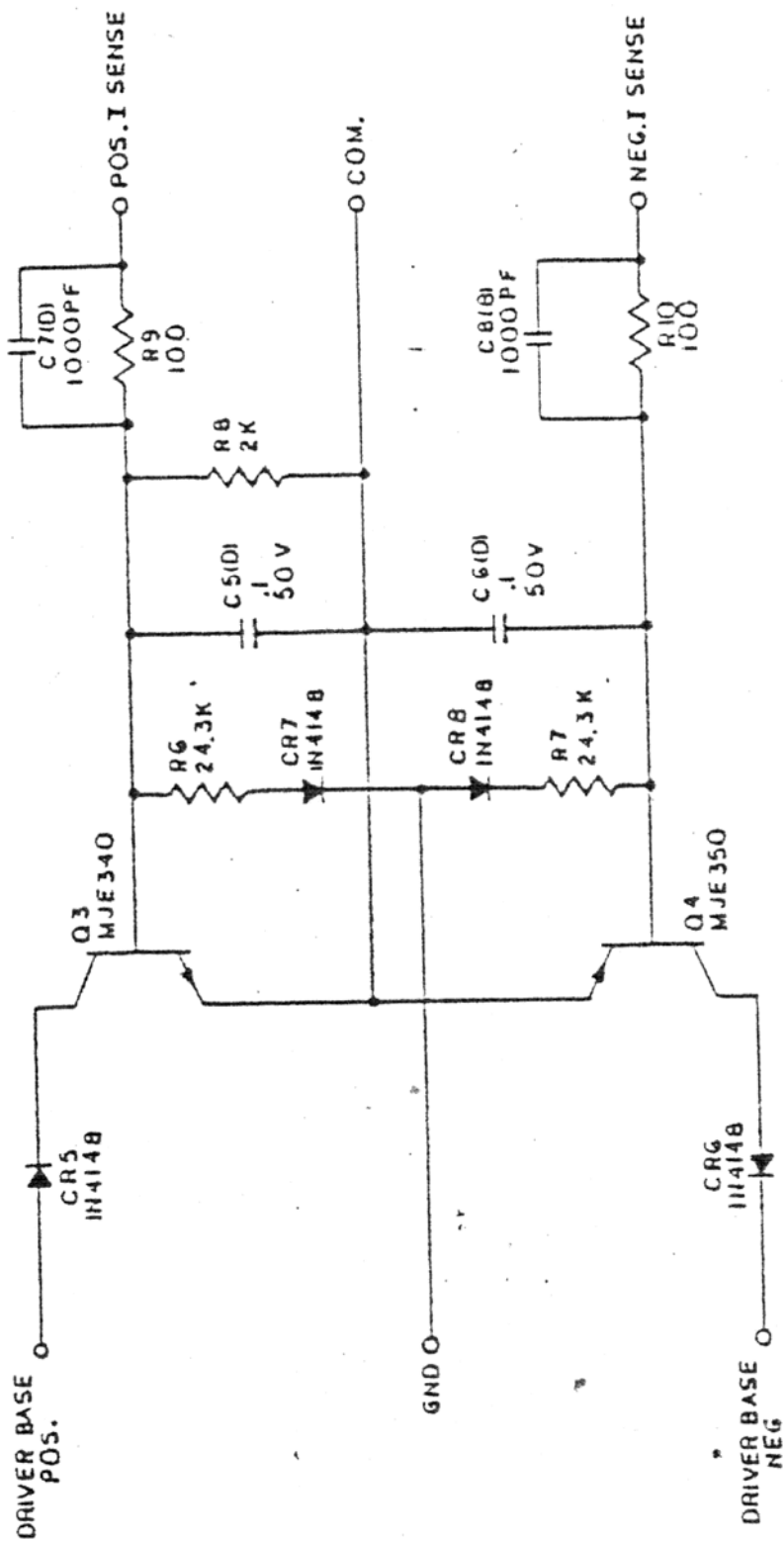
OWN: JDB DATE: 9/9/82
 APP: DATE: 2-2-82
 TOL: 0.01 4 51"
 MFG: 01 PRACT 51/4

CREST: MODEL'S 3000 & 5001 SERIES
 POWER AMPLIFIERS
 LHMV E.C.L.

PCB/MATEC
 DWG NO: 2103546
 SCALE: -- DO NOT SCALE DRAWING



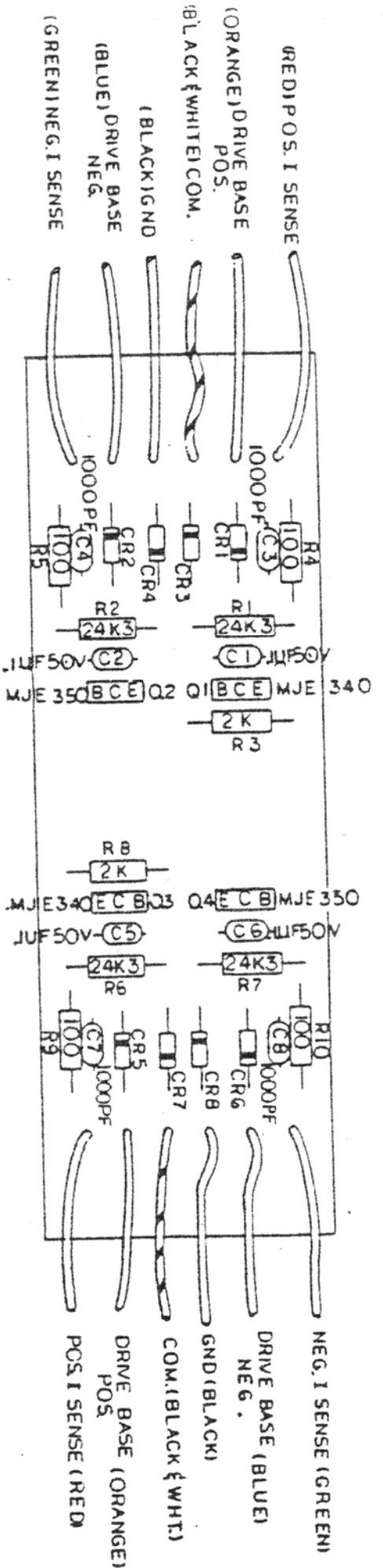
CHA A



CHA B

LAST REV	DES	NOTES	REV DESCRIPTION	DATE
USED	NOT USED	1) ALL RESISTORS 1/4W, UNLESS OTHERWISE SPECIFIED		
C B		2) ALL CAPACITORS 50V, UNLESS OTHERWISE SPECIFIED		
CR 6				
Q 4				
R 10				

DALLAS MUSIC INDUSTRIES HAWTHORNE, N.J. 07048		DATE: 8/15/83	CREST:
APP: E.C.	DATE: 2/1/81	TITLE: POWER AMPLIFIERS	Y.L.LIMITING P.C.D.
DES: E.C.	DATE: 4/2/81	REV: 1	SCHEMATIC DWG.
APP: E.C.	DATE: 8/15/83	REV: 2	



CHA A

CHA B

CCMP, NOT INSTALLED BY
OUTSIDE VENDOR

LAST REV DES.
USED NOT USED

CB
CR8
Q4
R10

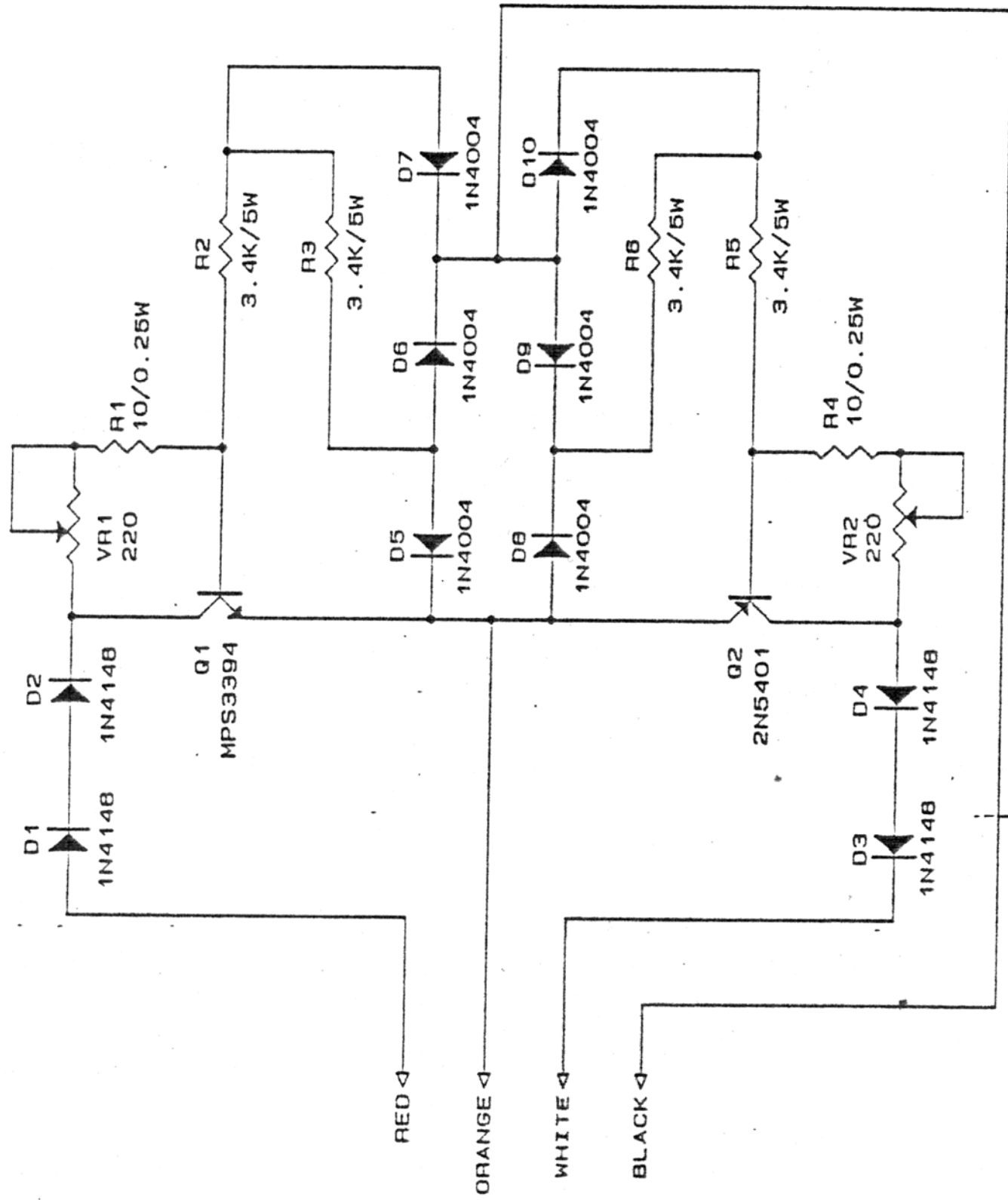
NOTES
1) ALL RESISTORS 1/4W, UNLESS OTHERWISE SPECIFIED
2) ALL DIODES IN 414B, UNLESS OTHERWISE SPECIFIED

REV DESCRIPTION
01 CHANGE Q1 & Q3 FROM MJE 180 TO MJE 340 - Q2 & Q4 FROM MJE 170 TO MJE 350

DATE
10-26-83

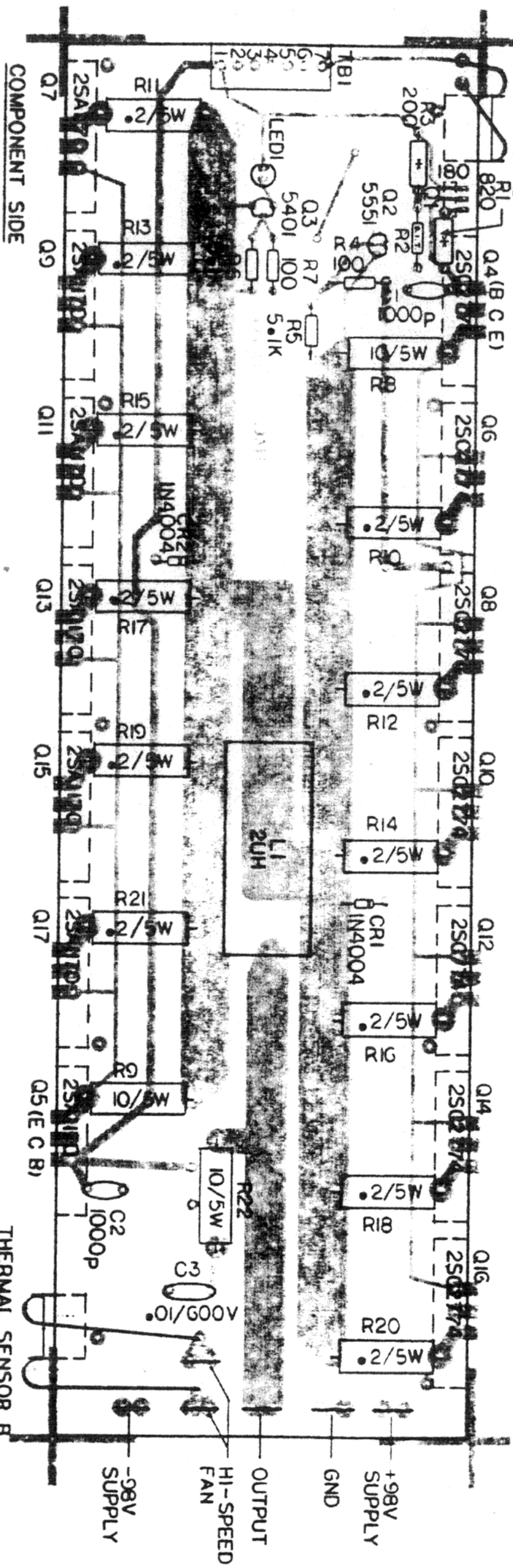
DALLAS MUSIC INDUSTRIES
HAWTHORNE, N.J. 07086
OWN: E.C. DATE: 8/15/83
APP: J.P. DATE: 2/14/84
TOL: 10.3.08 4.31°
REV: 2.01 FRAC: 1/64
MATERIAL:
MODEL: 5000/5001 SERIES
POWER AMP. FILTERS
V.L. LITTING P.C.B.
ASSEMBLY DMG.
DWG NO.: 2205610
SCALE: 2:1 DO NOT SCALE DRAWING

REV: 01



8	7	6	5	4	3	2	1
D	C	B	A				
CREST AUDIO							
HAWTHORNE, NJ 07608							
Title							
5000/5001 2 OHM LIMITER PCB							
Size Document Number							
A 2101610							
REV							
O1							
Date: 3 Apr 11 1999 Sheet 1 of 1							

2450-87-280
CLOSES AT 194°F
THERMAL SENSOR A



DOT 3.45 Res: 5.1k

LAST REF DES NOTES:

- 1) + DENOTES 1/2W RESISTOR (R1 & R3)
- 2) THERMAL SENSORS & Q1,4-17 MOUNT ON HEATSINK UNDER P.C.B.
- 3) R2, D.o.I.T., DETERMINE IN TEST

USED	NOT USED
R22	
C3	
CR2	
L1	
LED1	
Q17	

REV ECO DESCRIPTION DATE

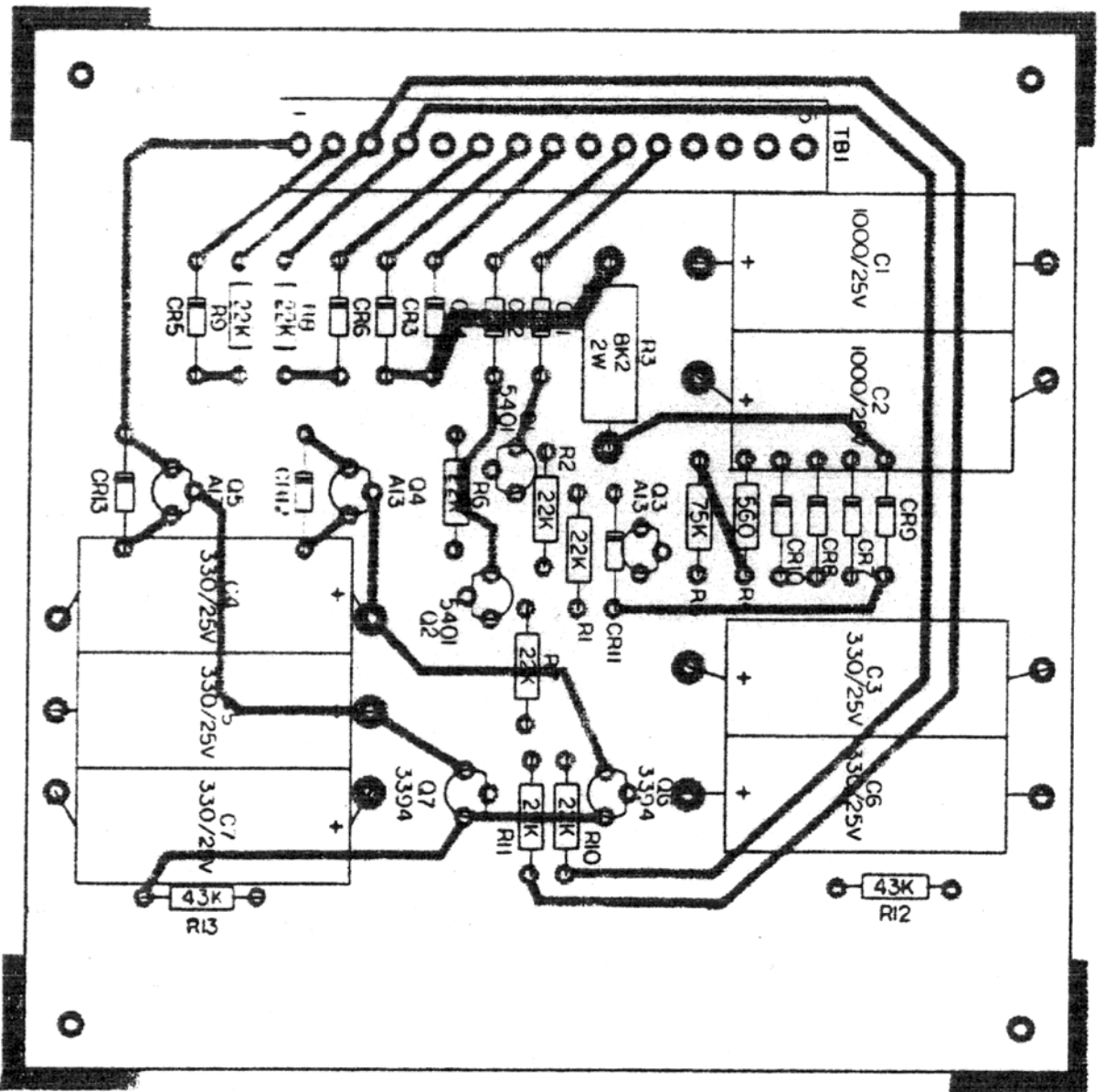
DALLAS MUSIC INDUSTRIES

HAWTHORNE, N.J. 07508

DWN: JJD DATE: 6/30/82
 APP: DATE: 7-1-82
 TOL: ±.02 ±1°
 FIN: ±.01 FRACT: 1/64

CREST: MODELS 5300 & 5001 SERIES
 POWER AMPLIFIERS
 HEATSINK P.C.B.
 ASSEMBLY DWG.

DWG. NO.: 2203471
 SCALE: 1:1 DO NOT SCALE DRAWING
 REV: 00



LAST REF DES

USED	NOT USED
R13	
C7	
CR13	
Q7	

NOTES:
 1) ALL DIODES IN4004
 2) UNSPECIFIED RESISTORS 1/4W

REV ECO DESCRIPTION

DATE

DALLAS MUSIC INDUSTRIES
 HAWTHORNE, N.J. 07068

DATE 8/9/82

DATE 4/2/80

DATE 2/1/84

DATE 2/1/84

DATE 2/1/84

DATE 2/1/84

DATE 2/1/84

CREST:

MODELS 5000 & 5001 SERIES
 POWER AMPLIFIERS

RELAY/PROTECT P.C.B.

SCHEMATIC

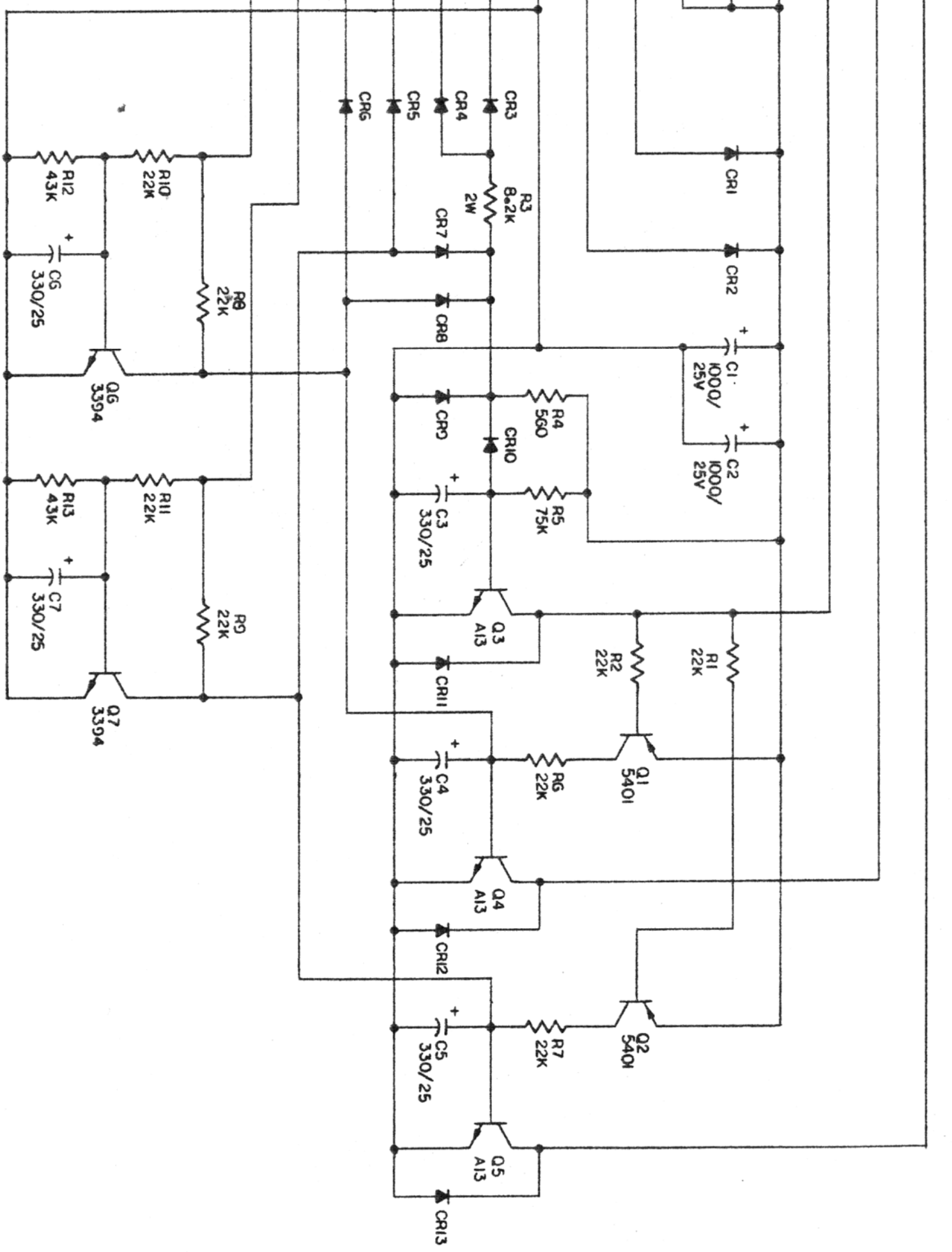
DWG. NO. 2203553

SCALE 2:1 DO NOT SCALE DRAWINGS

REV 00

- CH. A RELAY
- CH. B RELAY
- SURGE RELAY
- CH. A/B RELAY
- SURGE RELAY
- +17V METER SUPPLY
- CH. A 12VAC
- CH. B 12VAC
- GND
- CH. A -98V SUPPLY
- CH. B -98V SUPPLY
- CH. A TEMP
- CH. B TEMP
- CH. A PROTECT
- CH. B PROTECT

- 1
- 5
- 9
- 12
- 13
- 14
- 11
- 10
- 15
- 7
- 8
- 2
- 6
- 3
- 4
- T81



LAST REF DES

NOT USED
USED

NOT USED
USED

NOTES:
1) ALL DIODES IN4004
2) UNSPECIFIED RESISTORS 1/4W

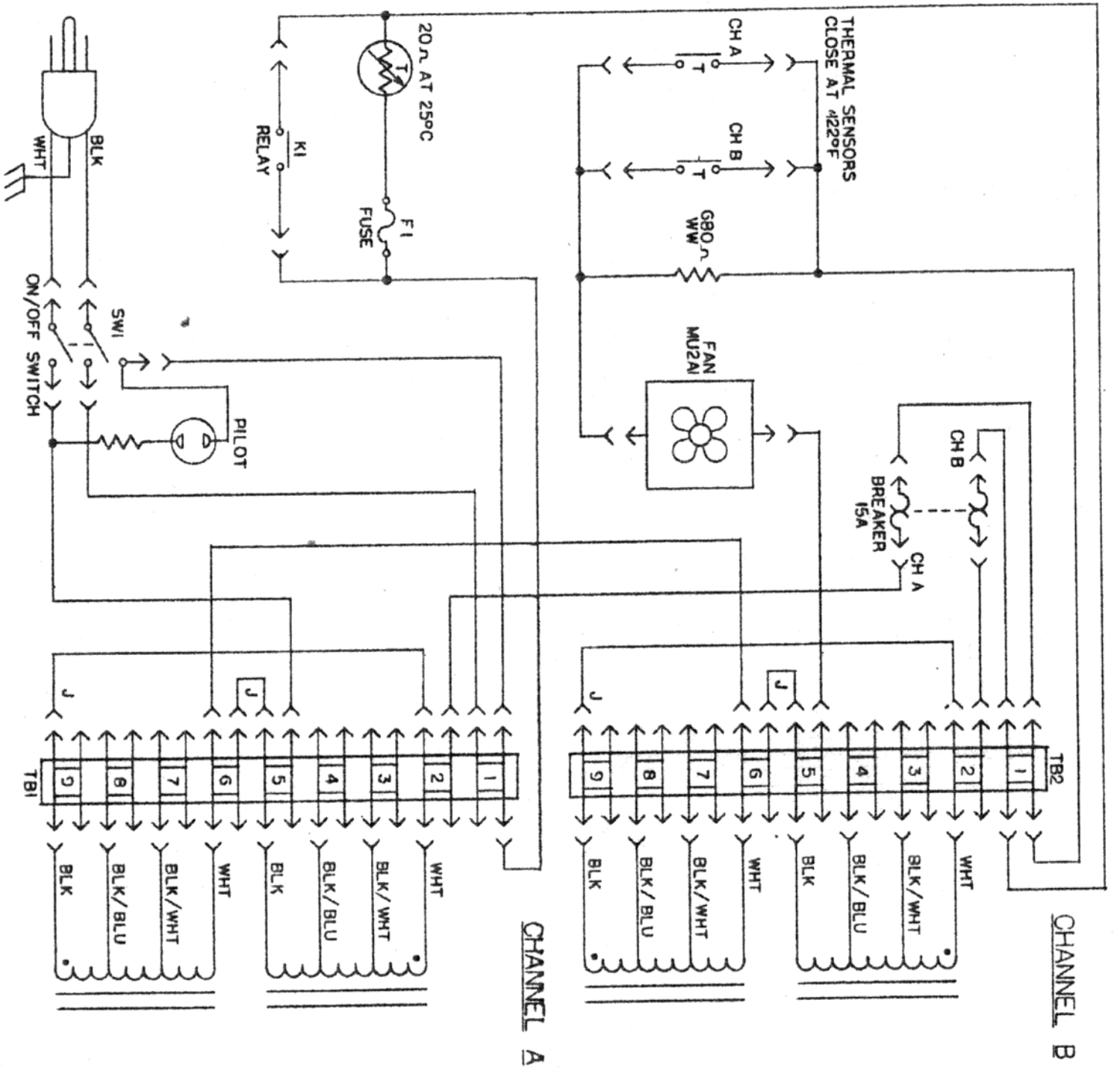
REV ECO DESCRIPTION

DATE

DALLAS MUSIC INDUSTRIES
MAYTOWNE, N.J. 07068

OWN: JMD
APP: JMD
DATE: 8/29/82
TOL: 1.02
FRAC: 2/64
MATERIAL:
FINISH:
CREST:
MODEL: 5000 & 5001 SERIES
POWER AMPLIFIERS
RELAY/PROTECT E.C.B.

SCHEMATIC
DWG. NO.: 2103553
SCALE: -- 80 NOT SCALE DRAWING



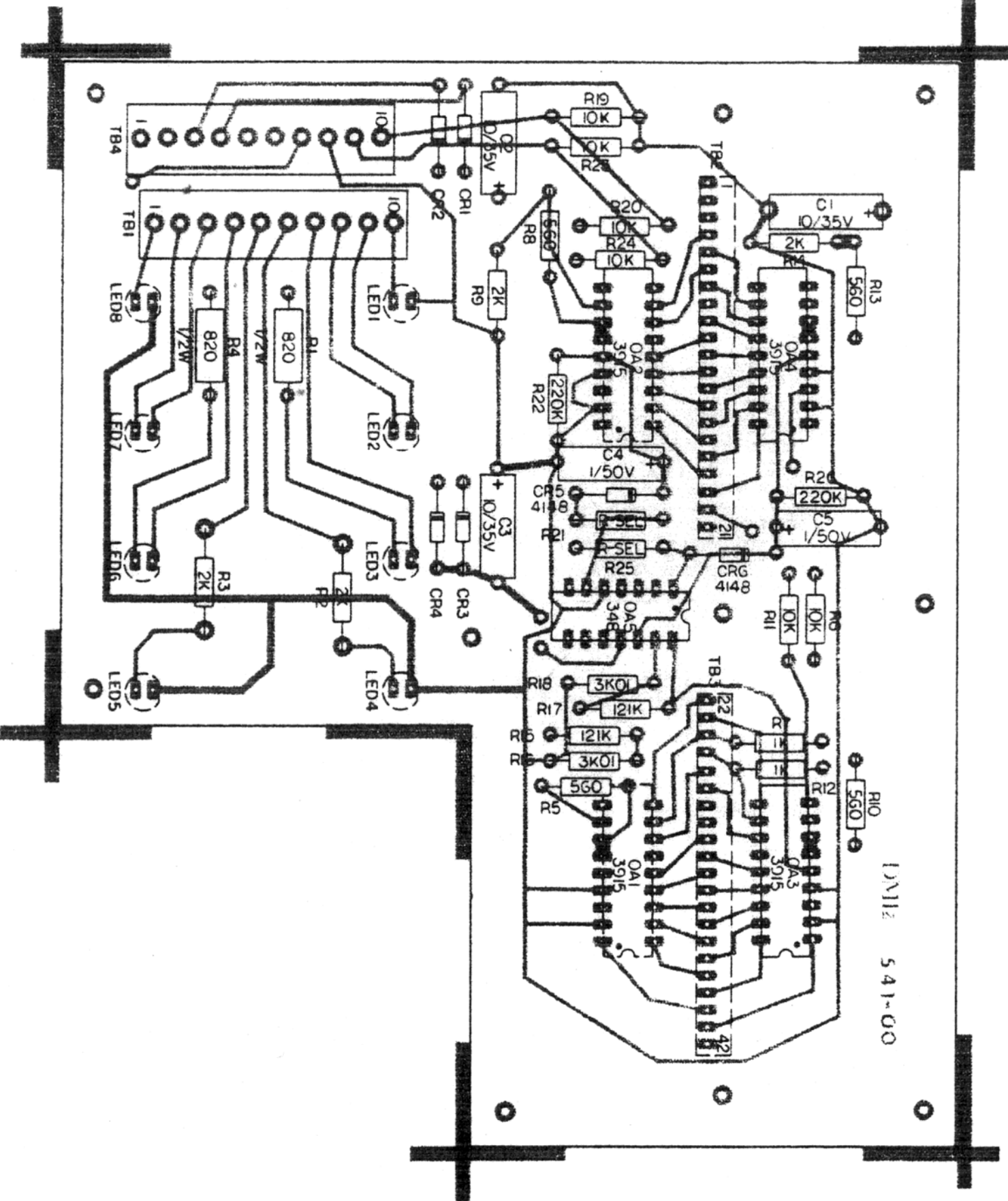
120V TRANSFORMER WIRING

- NOTES:
- 1) J - JUMPER
 - 2) THERMAL SENSORS & FAN LOCATED ON HEATSINK MODULE

REV	ECO	DESCRIPTION	DATE

DALLAS MUSIC INDUSTRIES HAWTHORNE, N.J. 07998	
DRW: JMB	DATE: 5/28/82
APP: [Signature]	DATE: 2-6-82
TOL: 1.02	4.2"
PRCT: 01	FRAC: 1/16"
MATERIAL:	
FINISH:	
Dwg No: 2203595	
SCALE: -- DO NOT SCALE DRAWING	
REV: 01	

CREST: KODAK 5000 & 5001 SERIES
 POWER AMPLIFIERS
 TRANSFORMER WIRING DIAGRAM
 (120V)
 ASSEMBLY Dwg.



LN112 541-00

LAST REF DES NOTES:

- 1) ALL LEDs, OA1,2, TB2,3 MOUNT ON SOLDER SIDE
- 2) R21 & 25, R SELECT IN TEST

USED	NOT USED	REV	ECO	DESCRIPTION	DATE
R26					
C5					
LED8					
OA5					
TB4					

DALLAS MUSIC INDUSTRIES HAWTHORNE, N.J. 07108	
OWN: JJD	DATE: 04/27/62
APP: [Signature]	DATE: [Signature]
CREST: MODEL 5000 SERIES PMR AMPLIFIER MAIN CENTER E.C.B.	
ASSEMBLY DWG.	
DWG NO: 2203541	REV: 00
SCALE: 2:1 OR NOT SCALE DRAWING	